

Product datasheet

Specifications



Circuit breaker, EasyPact MVS, 3 Poles, 1600A, 50kA, MF, ET2, fixed, manual

MVS16N3MF2L

Main

Range	EasyPact
Product Name	MVS16N
Device Short Name	MVS16N
Product Or Component Type	Circuit breaker
Device Application	Distribution
Poles Description	3P
Protected Poles Description	3P 3d
[In] Rated Current	1600 A at 40 °C
Network Type	AC
[Ue] Rated Operational Voltage	690 V AC 50/60 Hz conforming to IEC 60947-2
Breaking Capacity Code	N
Suitability For Isolation	Yes conforming to IEC 60947-2
Utilisation Category	Category B
Trip Unit Name	ET2I
Trip Unit Technology	Electronic
Trip Unit Rating	1600 A

Complementary

Network Frequency	50/60 Hz
Control Type	Manually operated
Mounting Mode	Fixed
Mounting Support	Rail Base plate
Connection Position	Vertical Horizontal
Location Of Connection	Rear
[Uij] Rated Insulation Voltage	1000 V AC 50/60 Hz conforming to IEC 60947-2
[Uimp] Rated Impulse Withstand Voltage	12 kV conforming to IEC 60947-2
Circuit Breaker Ct Rating	1600 A
Breaking Capacity	50 kA Icu at 220...440 V AC 50/60 Hz conforming to IEC 60947-2
[Ics] Rated Service Breaking Capacity	50 kA (Ics) at 220...440 V AC 50/60 Hz conforming to IEC 60947-2

Mechanical Durability	20000 cycles (with maintenance) conforming to IEC 60947-2 10000 cycles (without maintenance) conforming to IEC 60947-2
Electrical Durability	Category B: 6000 cycles 440 V AC 50/60 Hz without maintenance conforming to IEC 60947-2 Category B: 4000 cycles 690 V AC 50/60 Hz without maintenance conforming to IEC 60947-2
Connection Pitch	115 mm without spreader
Contact Position Indicator	Yes
[Icm] Rated Short-Circuit Making Capacity	105 kA (Icm) at 220...440 V AC 50/60 Hz conforming to IEC 60947-2
[Icw] Rated Short-Time Withstand Current	50 kA (1 s) at 220...440 V AC 50/60 Hz conforming to IEC 60947-2 42 kA (1 s) at 690 V AC 50/60 Hz conforming to IEC 60947-2 25 kA (3 s) at 440/690 V AC 50/60 Hz conforming to IEC 60947-2
Trip Unit Protection Functions	LI
Protection Type	Instantaneous short-circuit protection Overload protection (long time)
Fault Indication	Short-circuit Internal fault Overload
Long Time Pick-Up Adjustment Type Ir	Adjustable 9 settings
Long Time Pick-Up Adjustment Range	0.4...1 x In
Long Time Delay Adjustment Type	Adjustable 9 settings
[Tr] Long-Time Delay Adjustment Range	0.5...24 s at 6 x Ir
Thermal Memory	20 minutes before and after tripping
Instantaneous Pick-Up Adjustment Type Ii	Adjustable 9 settings
Instantaneous Pick-Up Adjustment Range	1.5...10 x Ir
Zone Selective Interlocking Zsi	With
Current Sensor Rating Range	400/2000 A
Maximum Breaking Time	25 ms
Maximum Closing Response Time	70 ms
Height	352 mm
Width	422 mm
Depth	297 mm
Net Weight	40 kg

Environment

Standards	IEC 60947-2
Product Certifications	GOST CCC IEC CCS
Pollution Degree	4 conforming to IEC 60664-1
Ip Degree Of Protection	IP40
Ambient Air Temperature For Operation	-5...70 °C
Ambient Air Temperature For Storage	-40...85 °C without control unit -25...85 °C with control unit

Packing Units

Unit Type Of Package 1	PCE
Number Of Units In Package 1	1
Package 1 Height	42.0 cm
Package 1 Width	35.0 cm
Package 1 Length	50.0 cm
Package 1 Weight	38.0 kg

Contractual warranty

Warranty	18 months
-----------------	-----------

Sustainability

Green Premium™ label is Schneider Electric's commitment to delivering products with best-in-class environmental performance. Green Premium promises compliance with the latest regulations, transparency on environmental impacts, as well as circular and low-CO₂ products.

Guide to assessing product sustainability is a white paper that clarifies global eco-label standards and how to interpret environmental declarations.

[Learn more about Green Premium >](#)

[Guide to assess a product's sustainability >](#)



Transparency RoHS/REACH

Well-being performance

Mercury Free

Rohs Exemption Information [Yes](#)

Pvc Free

Certifications & Standards

Reach Regulation [REACH Declaration](#)

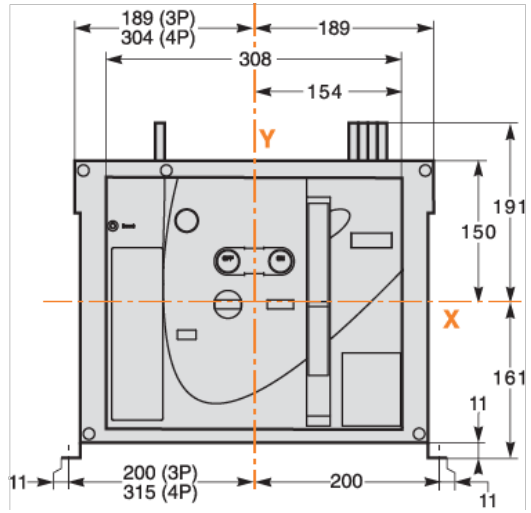
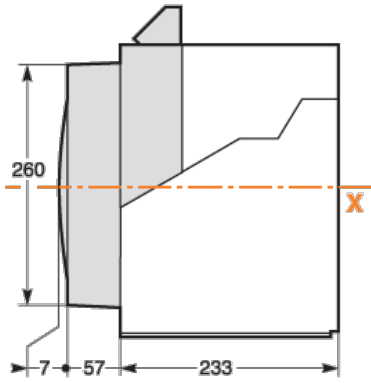
Eu Rohs Directive Compliant with Exemptions

China Rohs Regulation [China RoHS declaration](#)
Product out of China RoHS scope. Substance declaration for your information

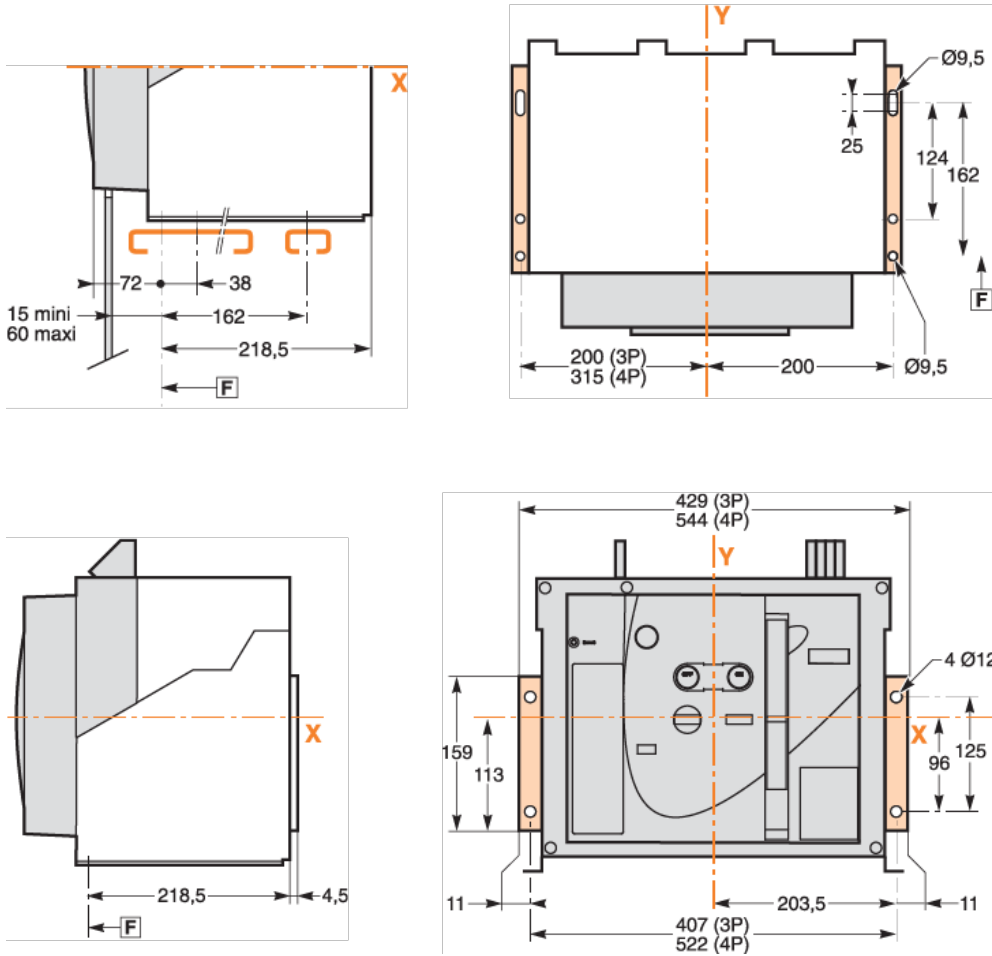
Environmental Disclosure [Product Environmental Profile](#)

Circularity Profile [End of Life Information](#)

Dimensions Drawings



Assembly



Performance Curves

